



Keep Operations Running



A4 STORM REGENERATIVE AIR SWEEPER 3.6m³

P 1300 567 784 E info@kor.com.au kor.com.au



REGENERATIVE SWEEPER

The A4 Storm is a chassis mounted, regenerative air street sweeper and a real heavy-duty workhorse that will provide a high-quality option with the lowest cost of ownership. It also includes Schwarze WhisperWheelSM fan system, which runs over 70% quieter and up to 20% less fuel consumption.

Airspeed of 14,000cfm and sweep path of 3,048mm makes this package the compact performance leader. High tipping at 1,956mm and overall height of 2,505mm puts the A4 in a class of its own. As the regenerative air system raises much less dust than sweepers fitted with main brooms, less water is required for dust control.

Variant	Schwarze A4 Storm Regenerative Sweeper	
Chassis	ISUZU NQR 87-140 4x2 Dual control Allison auto	
Debris hopper	Capacity 3.6 m ³ usable Capacity 2.75m ³	
Material	3.4mm stainless steel plate	
Aux. engine	Cummins tier 4F turbo charged diesel 74hp (55kW)	

Sweeping path		
Dual suction nozzles, dual side brooms and transfer brooms		3,048mm
Suction nozzle, transfer brooms and one side broom		2,540mm
Suction nozzle only		2,032mm

Instrumentation	
Auxiliary engine	Flat panel display

Fan system	
Type	Closed face radial fan
Performance	Performance 20388 m ³ /hr (14,000cfm)
Construction	Hardox steel
Drive	Direct drive via 3V 5-Groove banded power belt

Dust suppression system	
Water pump type	Diaphragm Run-Dry
Water tank size	750 litre
Tank material	Polyethylene
Controls	Electric in cabin
Nozzles	7 on front spray bar 2 on each broom 4 around suction head 2 inside hopper 2 inside suction tube 2 at front axle

Pick-up head	
Type	Dual chambered full-width blast orifice
Operating direction	Forward and reverse
Suspension	Adjustable spring balanced
Nozzle area	1.55m ²
Suction hose dia	305mm
Hose construction	Wire-reinforced, 9.5mm, thick molded rubber
Head area	1.29m ²
Controls	Hydraulic raise and lower
Construction	Abrasion-resistant steel with corded rubber seal flaps

High tipping	
Hopper tipping height	1,956mm
Hopper tipping angle	88 degrees

Side brooms	
Type	Vertical steel digger
Location	Right and left; forward of pickup head
Diameter	990mm
Drive	Hydraulic
Suspension	Torque sensing spring
Wear adjustment	Automatic
Pressure	Manual
Speed	Variable; non-reversing
Segments	5 Per side; disposable
Tilt angle adjustment	In-cab controls

Electrical system	
Sweeper aux. engine	12V
Aux. engine alternator	55 amp

Hydraulics system	
Drive	Direct gear
Reservoir	94 litres
Controls	Electro-hydraulic

Aux hydraulics system	
Gear type	Driven by 12V electric motor
Function	Raise/lower hopper; open/close hopper door; raise brooms and pickup head

Paint	
One coat of sealer/primer and two coats of Sherwyn Williams Elite polyurethane in standard white color	

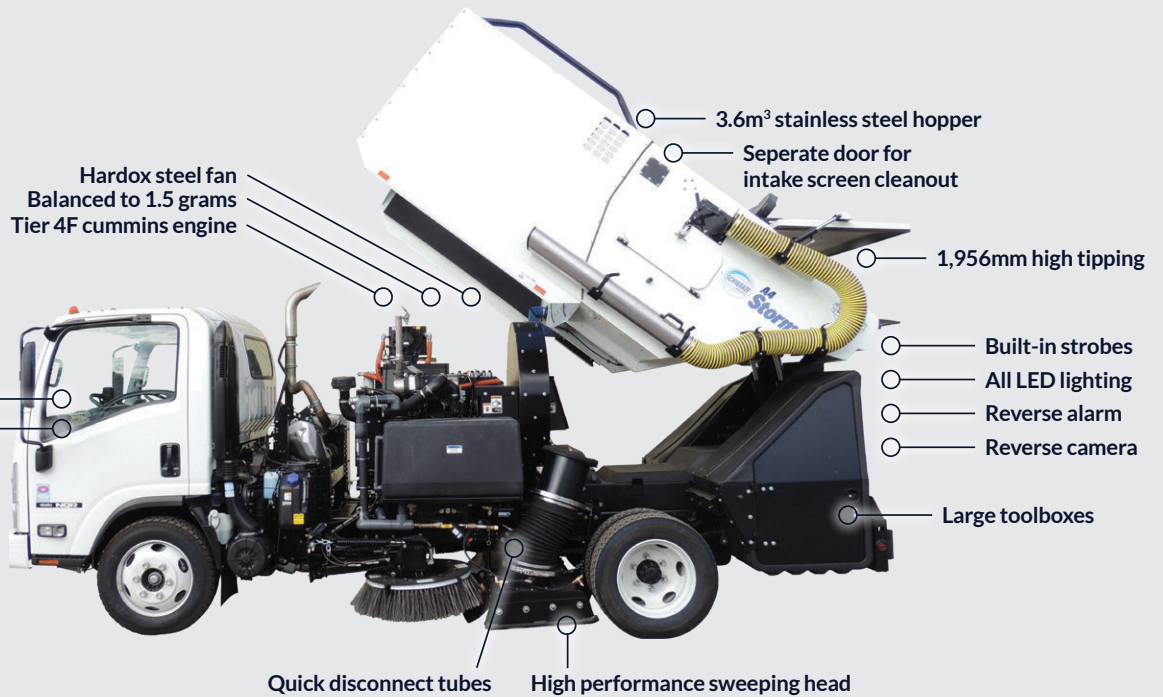
A4 STORM™

3.6m³ Regenerative Air Sweeper



Onboard diagnostics
Colour coded switches

Hardox steel fan
Balanced to 1.5 grams
Tier 4F cummins engine



MADE IN THE USA

Large surface area pick-up head for increased full width debris removal



large broom diameter of 991mm for increased



Dust suppression spray nozzles located at front, brooms and pick-up head



Easy to use control panel and display on-board diagnostics

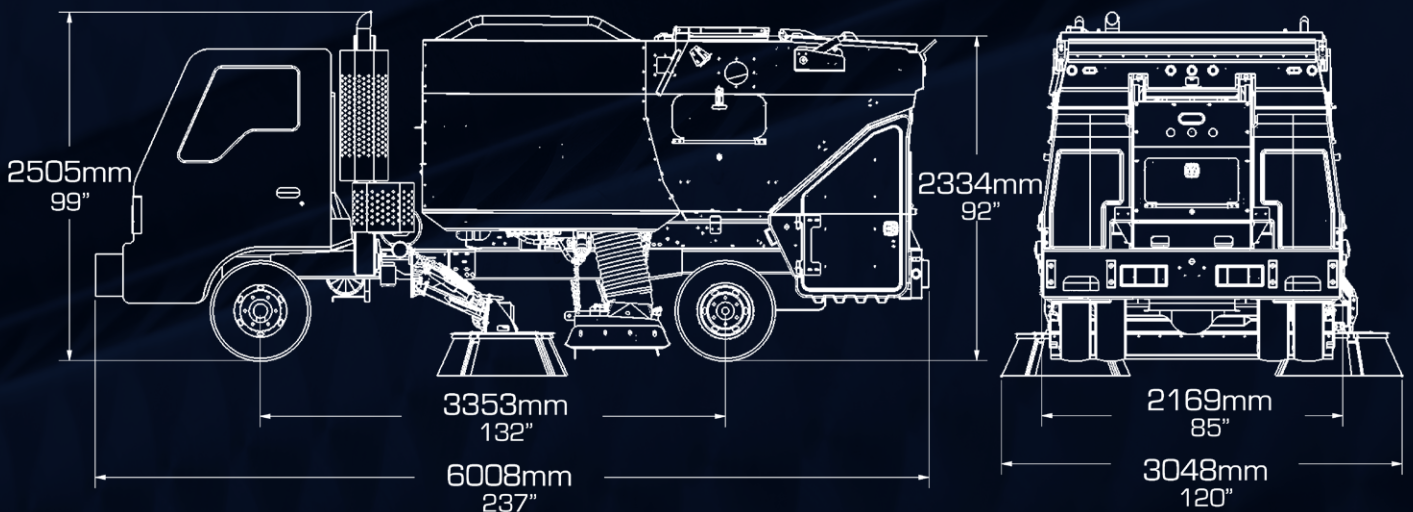


Vertical hopper discharge at 1,956mm directly into bins



Standard 2 x 150mm (6") hand hoses for easy pit access left and right side





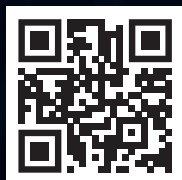
*TYPICAL MEASUREMENTS SHOWN , EXACT DIMENSIONS DEPENDING ON OPTIONS AND TRUCK MANUFACTURER

The Schwarze A4 Storm™ is the only compact sweeper with full size performance in the market.

High tipping with over 3m sweep path ensures productivity unmatched in a small package.

APPLICATION

- > Curb sweeping
- > Industrial/civil sweeping
- > Pit cleaning



FIND OUT MORE

P 1300 567 784

E info@kor.com.au

kor.com.au